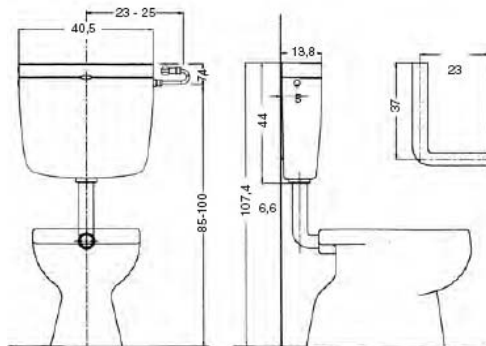


Exposed cistern ECOBOX



Field of application

- Exposed installation

Features

- exposed cistern with anti-condensation insulation
- equipped with quiet float valve complying with ČSN EN 14124
- dual flush button integrated in the right side of the lid
- side (left or right) or rear water inlet

Technical data

- | | |
|-----------------------------------|------------|
| ○ Total capacity | Lt 12 |
| ○ Total flush volume adjustment | Lt 6-9 |
| ○ Short flush volume | Lt 3 |
| ○ Internal diameter of flush pipe | mm 50 |
| ○ Average flush speed | l/s 2,0 |
| ○ Operation | Dual flush |

Contents

- Flush pipe Ø50/Ø40
- Chromed angle valve 3/8"

Item

18.00 Ecobox