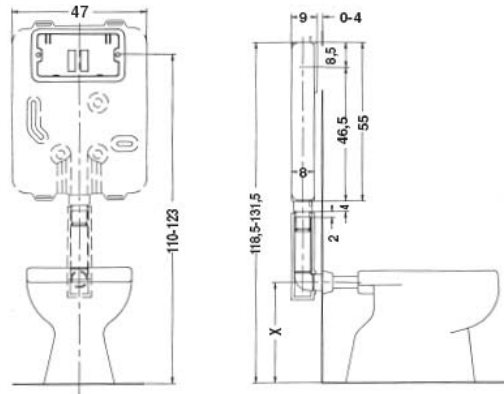


## In wall cistern **HIDROBOX MONO**



### Field of application

- in wall installation
- installation in masonry walls
- for floor mounted toilets

### Features

- in wall cistern with anti-condensation insulation
- front control plate
- fully inspected cistern (replacement of the flush valve and seal seat)
- equipped with quiet float valve compliance with DIN and NF standards

### Technical data

- |                                   |                       |
|-----------------------------------|-----------------------|
| ○ Total capacity                  | Lt 10,5               |
| ○ Total flush volume adjustment   | Lt 6-9                |
| ○ Internal diameter of flush pipe | mm 50                 |
| ○ Average flush speed             | l/s 2,2               |
| ○ Operation                       | Flush and stop action |

### Contents

- Insulated flush pipe
- Connection pipe to wc
- Stop valve
- protection cover of the inspection opening
- fixing bolts and brackets

### Item

14.00/C Hidrobox Mono