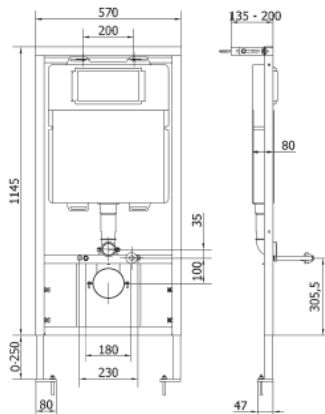


Module for light walls HIDROLITE *MONO*



Field of application

- Wall concealed installation
- Installation in light and masonry walls, self-supporting single and double walls
- For wall hung WC, adjustable distance 18-23cm
- Screed deepness from 0 to 25 cm

Features

- in wall cistern with anti-condensation insulation
- front control plate
- Fully inspected cistern (replacement of flush valve and seal seat)
- equipped with quiet float valve compliance with DIN and NF standards
- Powder coated steel frame
- Fixing collar for drain pipe

Technical data

- | | |
|---------------------------------|----------------|
| ○ Total capacity | Lt 10,5 |
| ○ Total flush volume adjustment | Lt 6-9 |
| ○ Flush pipe inside diameter | mm 50 |
| ○ Average flush speed | l/s 2,2 |
| ○ Operation | Flush and stop |

Contents

- Insulated flush pipe
- Wc connection tube
- Angle stop valve
- Protection cover for inspection hole
- Fixing bolts and brackets
- Wall drain pipe Ø90

Item

14.24/0C Hidrolite Mono