

Water purifier SEAGULL IV® DELUXE



Field of application

- Homes

Features

- pressure vessel in AISI 304 stainless steel
- easy replacement of the cartridge

Technical data

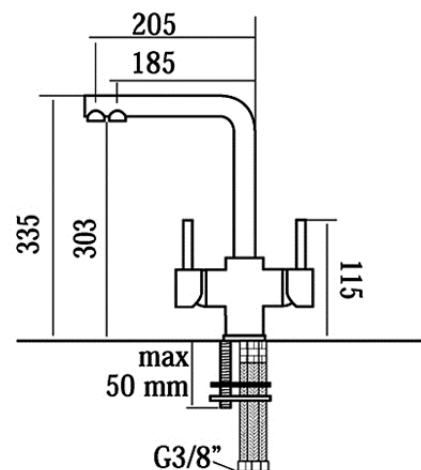
- | | |
|----------------------|---------------|
| ○ Cartridge | RS-1 SG |
| ○ Retention | 0,1 micron |
| ○ Flow | 4 Lt/min |
| ○ Capacity | 4.000Lt* |
| ○ Dimensions | Ø12,2xH13,7cm |
| ○ Operating pressure | da 1 a 8 ATM |

Phases of the purification process

1. Microfiltration through a structured matrix retention 0.1 micron con passaggio to remove water born pathogenic bacteria, parasites, radioactive particles and other micro particles.
2. Adsorption of organic chemical compounds by broad-spectrum absorbent substances particularly effective against chlorine, pesticides, herbicides and methylmercury
3. Bactericidal and not bacteriostatic action
4. permanent induction in the matrix of + and – electrostatic charges to remove even smaller particles

Equipment

- 3 way deluxe aucet
 - Ø sink hole 35mm
 - Maximum temperature 60°C
 - Operating pressure 3 bar



Item

10.03/L Seagull IV Deluxe

* Valore medio soggetto a variazioni in base al tipo di affluente